



Oasis CX Freshwater Ultra Low Salt & Mineral

Chlorinator

Softer, silkier feeling water, the healthier choice.

- ✓ Ultra low salt level operation: 1,200 - 1,500 ppm
- ✓ Sleek impact resistant cell housing design
- ✓ Avoid high costs associated with large amounts of minerals or salt
- ✓ Suitable for any pool type (concrete, fibreglass, vinyl and tiled)
- ✓ Salt or mineral compatible
- ✓ Easy to use controls
- ✓ Saves money on salt or minerals purchases
- ✓ Exceptionally low running costs



oasisaquatics.com.au

Part of the  Sunlover group

The Oasis Freshwater Ultra Low Salt & Mineral Chlorinator is an innovative solution for pool owners looking to improve the quality of their pool water while reducing the time and costs associated with pool maintenance.

Features

- > Variable speed pump compatible
- > Ultra long life self-cleaning cell
- > Premium titanium quick connect cell
- > Built in self regulator for high salt
- > Single and dual timer cycles
- > Automatic battery backup timer
- > Unique cell design allows for horizontal or vertical installation
- > Smart self cleaning cell electrodes
- > Backwash, super chlorinate and winter mode functions
- > Salt / TDS test and water flow protection

Heat Junction / Chlorinator Override Function

is used to avoid over chlorinating the swimming pool, which can often occur when a longer heat up time is required. This allows for a true one pump system to be used with the heater plumbed in line without over chlorinating the pool thus saving time and money.

Pool Blanket & Winter Mode

ensures the chlorinator is dialed down when the blanket is on, ensuring your pool is never over chlorinated.



100% Sustainable



Pristine water quality



Intelligent fully automated system



Strong reliable construction



Healthy mineral-rich water



Exceptionally low running cost



Fully automated

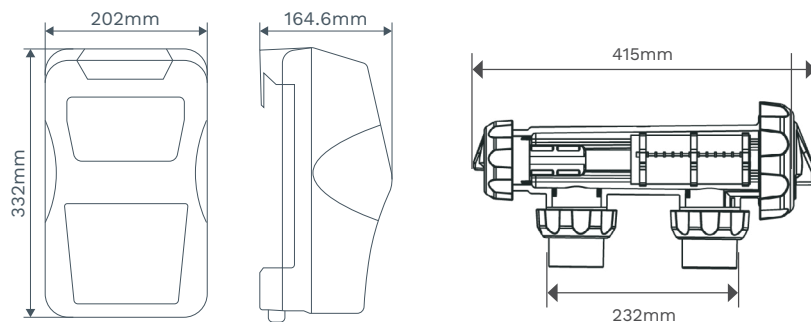


Easy installation to new or existing pools

Specifications

Model	Output	Pool Volume Cool Climate	Pool Volume Warm Climate	Max Pump Size	Max Current including Pump
CX25-LS	25g /hr	85,000 ltr	55,000 ltr	8 amps	10 amps
CX35-LS	35g /hr	120,000 ltr	80,000 ltr	8 amps	10 amps

Dimensions



For more details visit oasisaquatics.com.au

To discuss your pool equipment needs, contact your nearest office

Head Office
6-8 Austral Place,
Hallam VIC 3803
T: 03 9887 2131

New South Wales
Unit 2, 10 Boden Road,
Seven Hills NSW 2147
T: 02 9838 0000

Queensland
11 Andys Court,
Upper Coomera QLD 4209
T: 07 5679 6821

